



ProFlow - Metering Pump Skids

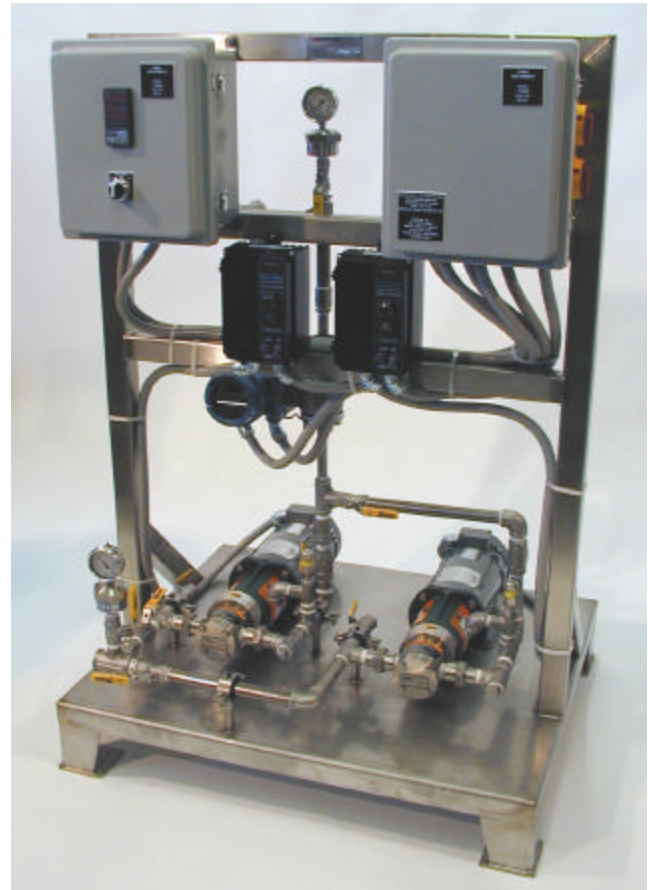
ProFlow - DMS Series Duplex Metering Pump Skid

Affordable

Reliable

Available

- Duplex Pump Skid
- Excellent for Viscous non Abrasive Products
- Sizes ranging from 1 GPM up to 30 GPM
- Discharge pressures to 300 PSIG
- Viscosities to 100,000+ CPS
- Close coupled pumps (up to 20 GPM) – no coupling alignment required
- Variable Speed Drives
- NEMA 4 Enclosures
- Compact design
- Stainless Steel frame
- Stainless Steel piping
- (1) Magnetic Flow Meters
- Pre-piped - Pre-wired, ready to operate
- Pressure Relief Valves for each pump
- Options available:
 - Water dilution system
 - PID controllers
 - Calibration Columns
 - Electrical Disconnect
- A full range of accessories are available
 - Tanks
 - Agitators
 - Filters



The ProFlow DMS Series Duplex metering pump skids are a cost effective alternative to expensive on-site pump installations. These compact, reliable skids offer precise metering of viscous/non-abrasive fluids. With pressure capabilities up to 300 PSIG, they fit most polymer metering applications.

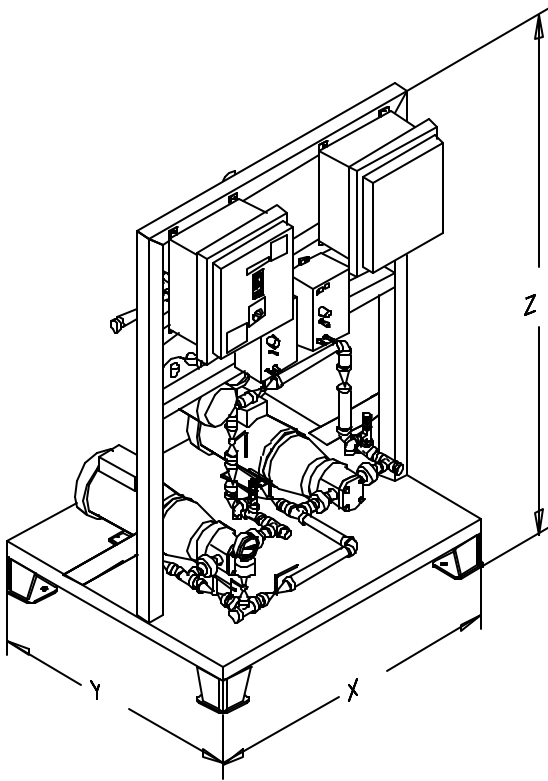
Contact ProFlow for all of your polymer equipment needs!

DMS Series Specifications

| Model | Flow Rate | Suction Connection | Discharge Connection | Power Requirements | X | Y | Z | Approx Weight |
|--------|-----------|--------------------|----------------------|------------------------|-----|-----|-----|---------------|
| DMS-2 | 2 GPM | 1" FNPT | ½ FNPT | 115 VAC ^{1,2} | 56" | 36" | 42" | 200 lbs. |
| DMS-5 | 5 GPM | 1" FNPT | ¾ FNPT | 115 VAC ^{1,2} | 56" | 36" | 42" | 200 lbs. |
| DMS-10 | 10 GPM | 1-½" FNPT | 1" FNPT | 460 VAC ² | 72" | 42" | 60" | 300 lbs. |
| DMS-20 | 20 GPM | 2" FNPT | 1" FNPT | 460 VAC ² | 72" | 42" | 60" | 400 lbs. |
| DMS-30 | 30 GPM | 2" FNPT | 1-½ FNPT | 460 VAC ² | 76" | 48" | 60" | 450 lbs. |

Note 1: Available in 460 VAC as an option

Note 2: Available in 575 VAC as an option



Shown w/ optional disconnect switch and PID control boxes

ProFlow Inc
 P.O. Box 748
 303 State Street
 North Haven, CT 06473
 (203) 230-4700
 Fax (203) 281-6036
 sales@proflow-inc.com
 www.proflow-inc.com

© 2003 ProFlow Inc
 Information subject to change (Rev 3)