



ProFlow – ASA Emulsifiers

ProFlow – SAE-100 ASA Emulsifier

Proven

Reliable

Available

- Emulsifies ASA in cooked starch
- Direct Feed to paper machine
- ASA rate to 250+ Lbs/Hr
- Starch flows to 30+ GPM
- NEMA 4 enclosure
- PLC controlled
- Ratio control of starch to ASA
- Flow following mode for multi-ply splitter application
- Graphical operator interface terminal
- Compact design
- Stainless steel frame
- Stainless steel piping
- Pre-piped, pre-wired - ready to operate
- Options available:
 - NEMA 4X SS enclosure
 - UL/CSA listed panel
 - Various voltages
 - 50 Hz power
- A full range of accessories are available
 - Starch pumps
 - Starch filters
 - Emulsion filters
 - Splitter system for multi-ply applications
- Startup services available - Service engineers with 20 years of worldwide ASA startup experience



The **ProFlow** SAE-100 ASA Emulsifier offers proven technology in a compact footprint. The system is designed to emulsify ASA in mill cooked starch and feed the emulsion directly to the paper machine.

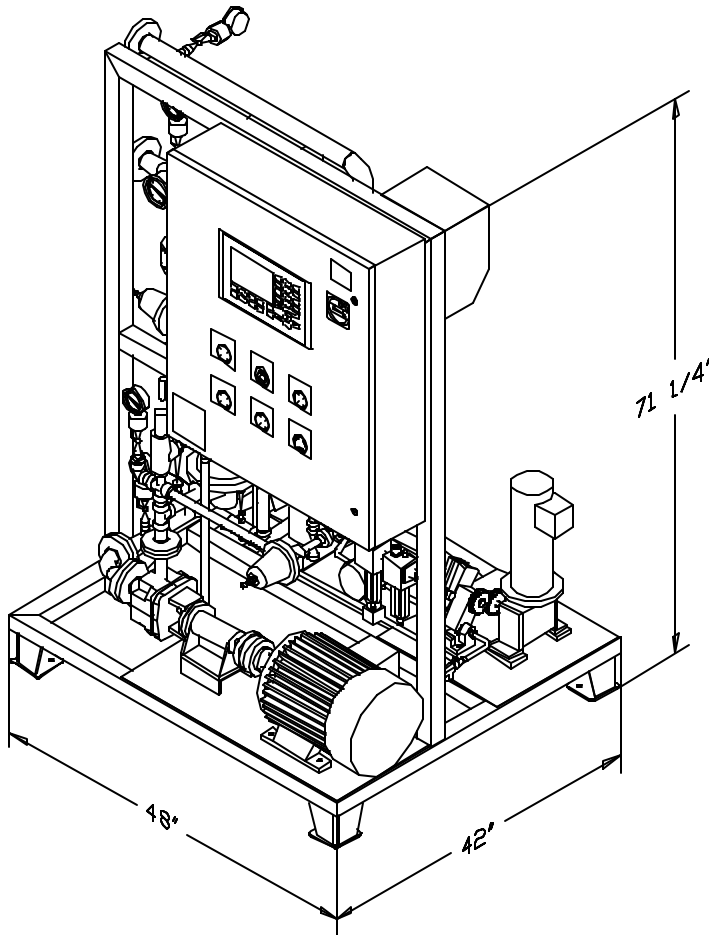
Contact ProFlow for all of your paper chemical equipment needs!

SAE-100 Specifications

Model	ASA Flow Rate ¹	Starch Connection	Discharge Connection	ASA Connection	Approx. Weight
SAE-100	100 Lb/Hr	1 1/2" 150# RF flange	1 1/2" 150# RF flange	1" FNPT	600 lbs.

Power Requirements: 460 VAC, 3 Phase, 60 Hz standard. 575, 415, 380 VAC and 50 Hz optional

Note 1: Higher flow rates available on request



ProFlow Inc
P.O. Box 748
303 State Street
North Haven, CT 06473
(203) 230-4700
Fax (203) 281-6036
sales@proflow-inc.com
www.proflow-inc.com

© 2003 ProFlow Inc
Information subject to change (Rev 4)