



# ProFlow - Metering Pump Skids

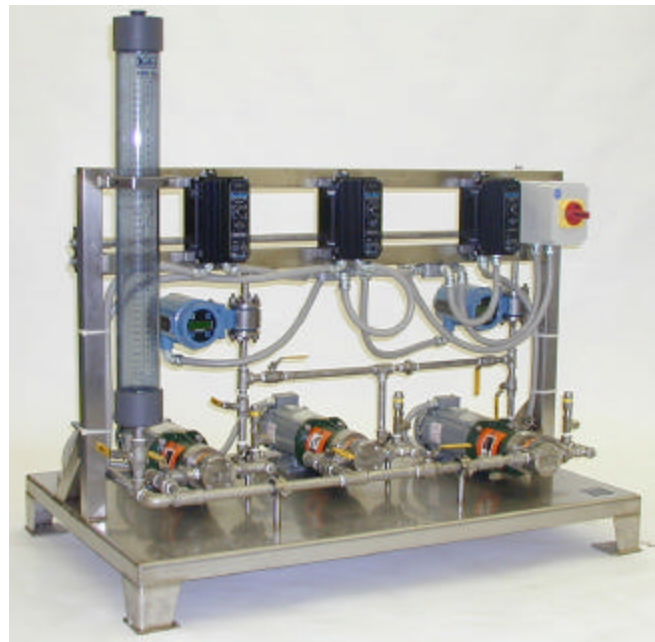
## ProFlow - TMS Series Triplex Metering Pump Skid

*Affordable*

*Reliable*

*Available*

- Triplex Pump Skid
- Excellent for Viscous non Abrasive Products
- Sizes ranging from 1 GPM up to 30 GPM
- Discharge pressures to 300 PSIG
- Viscosities to 100,000+ CPS
- Close coupled pumps (up to 20 GPM) – no coupling alignment required
- Variable Speed Drives
- NEMA 4 Enclosures
- Compact design
- Stainless Steel frame
- Stainless Steel piping
- (2) Magnetic Flow Meters
- Pre-piped - Pre-wired, ready to operate
- Pressure Relief Valves for each pump
- Options available:
  - Water dilution system
  - PID controllers
  - Calibration Columns
  - Electrical Disconnect
- A full range of accessories are available
  - Tanks
  - Agitators
  - Filters



The ProFlow TMS Series Triplex metering pump skids are a cost effective alternative to expensive on-site pump installations. These compact, reliable skids offer precise metering of viscous/non-abrasive fluids. With pressure capabilities up to 300 PSIG, they fit most polymer metering applications.

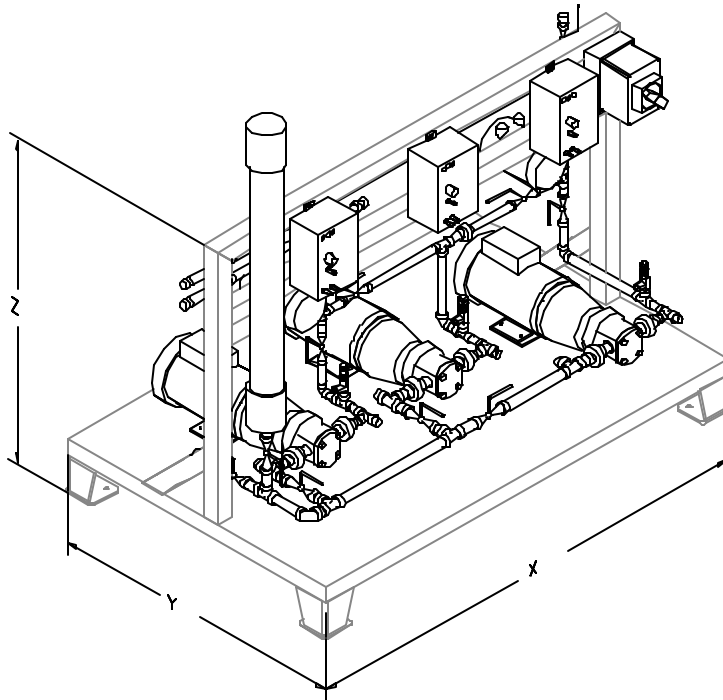
**Contact ProFlow for all of your polymer equipment needs!**

## TMS Series Specifications

Model	Flow Rate	Suction Connection	Discharge Connection	Power Requirements	X	Y	Z	Approx Weight
TMS-2	2 GPM	1" FNPT	½ FNPT	115 VAC <sup>1,2</sup>	56"	36"	42"	200 lbs.
TMS-5	5 GPM	1" FNPT	¾ FNPT	115 VAC <sup>1,2</sup>	56"	36"	42"	200 lbs.
TMS-10	10 GPM	1-½" FNPT	1" FNPT	460 VAC <sup>2</sup>	72"	42"	60"	300 lbs.
TMS-20	20 GPM	2" FNPT	1" FNPT	460 VAC <sup>2</sup>	72"	42"	60"	400 lbs.
TMS-30	30 GPM	2" FNPT	1-½" FNPT	460 VAC <sup>2</sup>	76"	48"	60"	450 lbs.

Note 1: Available in 460 VAC as an option

Note 2: Available in 575 VAC as an option



**Shown w/optional Calibration Column & Disconnect Switch**

**ProFlow Inc**  
 P.O. Box 748  
 303 State Street  
 North Haven, CT 06473  
 (203) 230-4700  
 Fax (203) 281-6036  
 sales@proflow-inc.com  
 www.proflow-inc.com

© 2003 ProFlow Inc  
 Information subject to change (Rev 3)